

ATEX



COMPLIANT

ATmosphères EXplosibles

SPRING BALANCERS



**Balancers Catalogue
ATEX Line**

CAPACITY 0,4 ÷ 100 kg



www.tecna.net

CE
EAC
UK
CA
EN





TECNA S.P.A. - VIA MEUCCI, 27 - CASTEL SAN PIETRO TERME

TECNA produces and distributes a complete range of BALANCERS having a capacity from 0.2 kg to 180 kg and an available standard wire stroke up to 3 meters. The TECNA BALANCER is an essential device to eliminate the operator's labour, to increase productivity by cutting down tools handling time and to improve work quality. Furthermore, the use of the TECNA BALANCERS reduces hoses and cables wear and avoids eventual damages to both people and tools.

The application of the TECNA BALANCER is absolutely versatile: it may be used for bench or assembly line works and it may be suitably applied to small tools, industrial suspended welders and multiple screw drivers. The ergonomic structure of the TECNA balancers has been designed to facilitate each application of use, ranging from movement easiness to body robustness, from simple use to lifting power.

TECNA, as a primary manufacturer, realizes special as well as customized versions upon demand.



TECNA S.P.A. - VIA GRIMALDI



Made in Italy





MECO, 25/27 - CASTEL SAN PIETRO TERME



ATEX  **COMPLIANT**
ATmosphères EXplosibles
SPRING BALANCERS

CE EAC UK CA

DIN 15112:1979

ATEX COMPLIANT

ATmosphères EXplosibles

WHY ATEX

TECNA was the first to develop a dedicated line with AtEx certification, suitable for use in areas with a potentially explosive atmosphere composed of flammable gases or combustible materials.

TECNA AX BALANCERS, depending on the models, are compatible with most flammable fumes, gases including Propane, Ethylene, Acetylene and Hydrogen (IIC group), as well as flammable dust.

Balancers are meant for safety and ergonomics and they must be able to follow you and your needs in every possible scenario. Therefore TECNA made balancers that can follow you also in dangerous situations, where even the tiniest spark can mean trouble.

AtEx certification, beside other features, requires products to be entirely conductive, grounded and with spark-proof materials. **TECNA AX BALANCERS** line guarantees this and more.

TECNA AX BALANCERS line is perfect for Oil&Gas applications, oil plants and refineries, chemical plants, but also tank washers, as well as situations with flour or flammable powders in suspension.



TECNA AX BALANCERS LINE was the first to obtain AtEx certification in 2009, to supply a solution for use in areas with a potentially explosive atmosphere or where grounding and conductivity are a requirement.

AtEx certification, beside other features, requires products to be entirely conductive, grounded and with spark-proof materials.

TECNA AX BALANCERS LINE guarantees this and more.

TECNA AX BALANCERS line is perfect for electronic assembly.

Overall resistance from ground point to carabiner is below 1 Ohm.

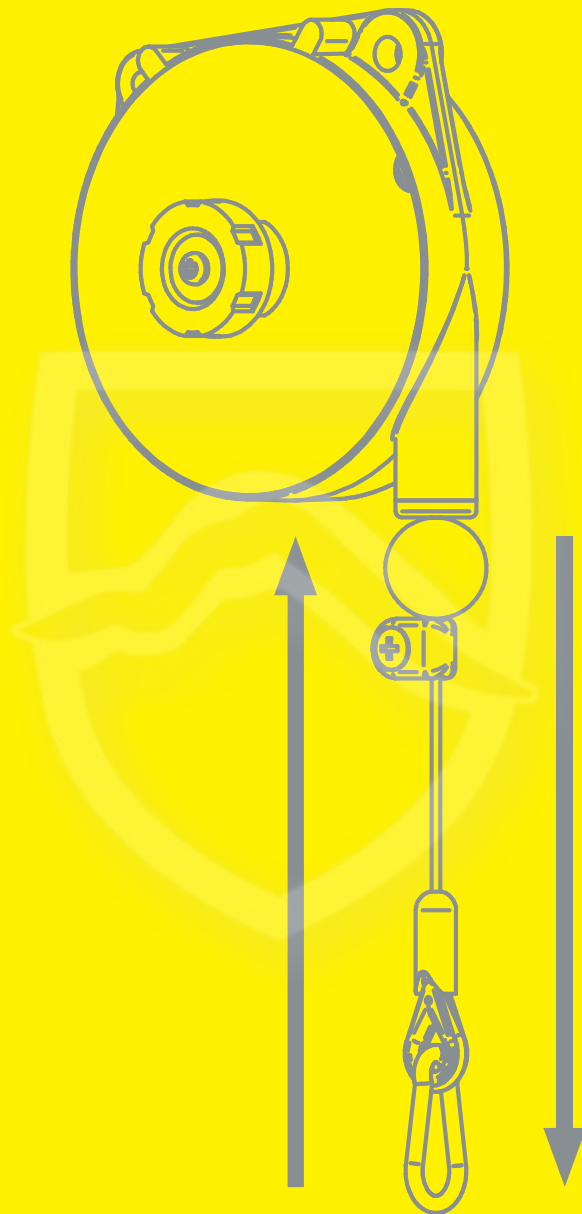


The challenge was to manufacture balancers with the same endurance and performance, which would be compliant with AtEx requirements, in a no-compromise line.

TECNA AX BALANCERS LINE performs equal to the classic **TECNA BALANCERS** line, simply with full compliance with AtEx strict requirement.

TECNA BALANCERS can follow you wherever you go, wherever you work. Just use them and you will see, the only limit is your creativity. And when you don't find an answer, just contact us and we'll listen.

ATEX RETRACTORS



Use your instrument with minimum effort
When released, the load will return to its rest position



9310AX÷9313AX

9320AX÷9323AX

33



	Aluminium
	1600 mm
	Stainless Steel
	0,2÷3 kg

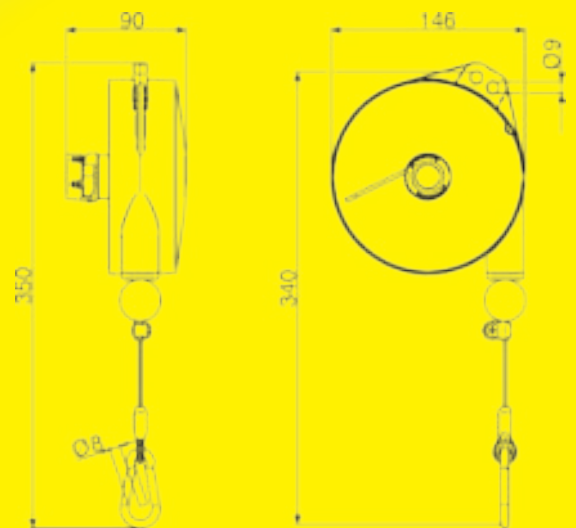
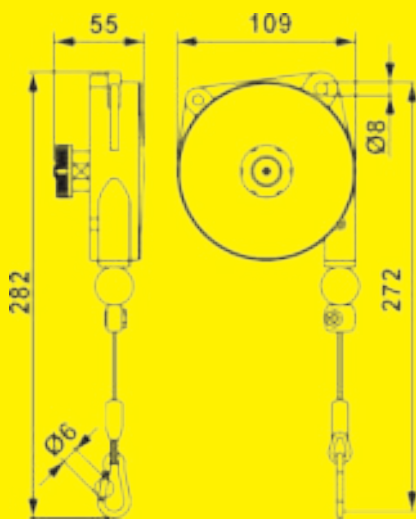
ATEX **COMPLIANT**
ATmosphères EXplosibles
 II 2G Ex h IIC T6 Gb

34



	Aluminium
	2000 mm
	Stainless Steel
	1÷8 kg

ATEX **COMPLIANT**
ATmosphères EXplosibles
 II 2G Ex h IIC T6 Gb
 II 2G Ex h IIB T6 Gb (9323AX)



Item	9310AX	9311AX	9312AX	9313AX
	0,2÷0,5	0,4÷1	1÷2	2÷3
	0,55	0,57	0,60	0,74

Item	9320AX	9321AX	9322AX	9323AX
	1÷2,5	2÷4	4÷6	6÷8
	1,67	1,90	1,98	2,28

9336LAX÷9340AX

9346LAX÷9350AX

35



	Aluminium
	2500 mm
	Stainless Steel
	0,5÷14 kg

ATEX COMPLIANT

ATmosphères **EX**plosibles

- II 2G Ex h IIC T6 Gb (9336LAX/9336AX)
- II 2G Ex h IIB T6 Gb (9337AX÷9339AX)
- II 2G Ex h IIA T6 Gb (9340AX)

36

STOP



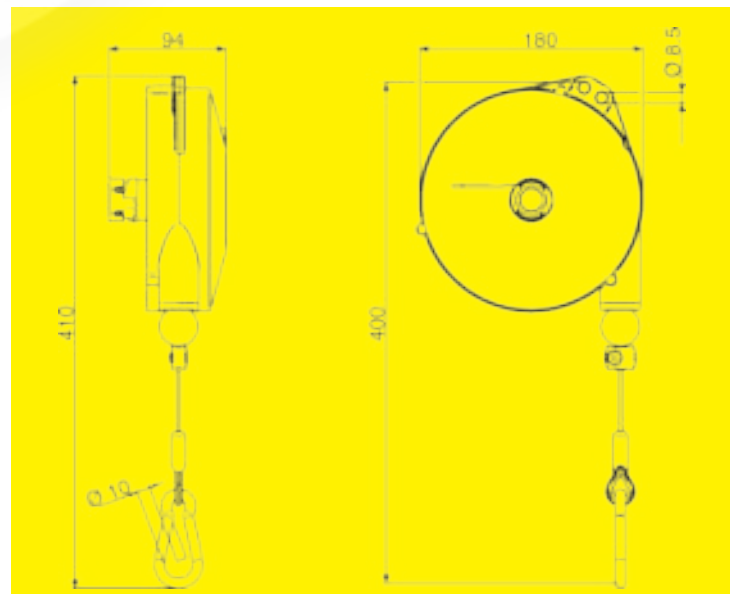
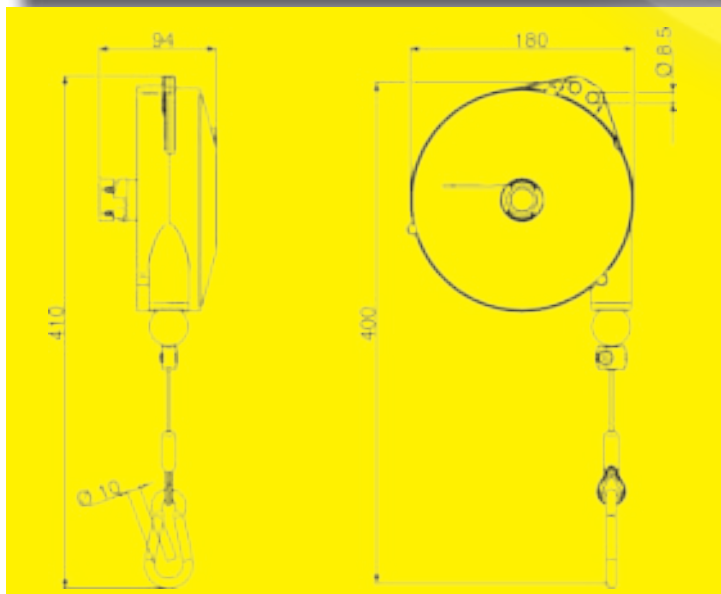
These balancers are equipped with a device enabling to stop the stroke by carrying out a simple operation on the load.

	Aluminium
	2500 mm
	Stainless Steel
	0,5÷14 kg

ATEX COMPLIANT

ATmosphères **EX**plosibles

- II 2G Ex h IIC T6 Gb (9346LAX/9346AX)
- II 2G Ex h IIB T6 Gb (9347AX÷9349AX)
- II 2G Ex h IIA T6 Gb (9350AX)



Item	9336LAX	9336AX	9337AX	9338AX	9339AX	9340AX
	0,5÷2	2÷4	4÷6	6÷8	8÷10	10÷14
	3,14	3,14	3,30	3,36	3,43	3,58

Item	9346LAX	9346AX	9347AX	9348AX	9349AX	9350AX
	0,5÷2	2÷4	4÷6	6÷8	8÷10	10÷14
	3,14	3,14	3,32	3,38	3,48	3,62

BALANCERS TECHNICAL FEATURES

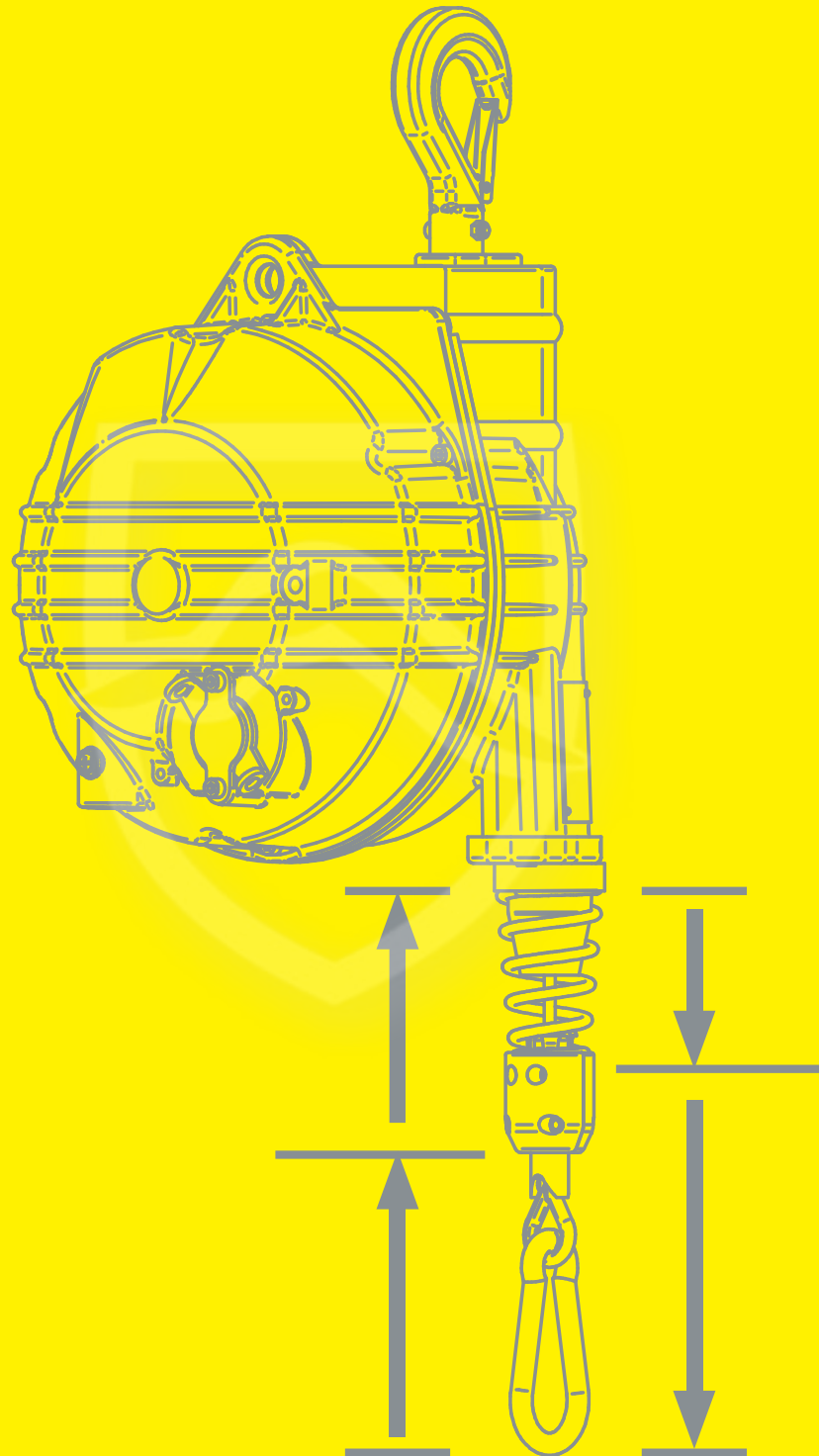
	9310AX÷9313AX	9320AX÷9323AX	9336LAX÷9340AX	9346LAX÷9350AX	
kg	0.2÷3	1÷8	0,5÷14	0,5÷14	Capacity
mm	1600	2000	2500	2500	Stroke
	●	●	●	●	Rugged construction, cast aluminium body
	●	●	●	●	Stainless steel rope
	●	●	●	●	Adjustable capacity
	●	●	●	●	Safety suspension
		●	●	●	Safety device against load dropping due to the spring breakage (capacity >3kg)
	●	●	●	●	Adjustable stroke limiting device
	●	●	●	●	Cable guide in antifriction material
	●	●	●	●	Inert spring drum assembly
	●	●	●	●	Polyamides thimble

ATEX CODING	9310AX	9311AX	9312AX	9313AX	9320AX	9321AX	9322AX	9323AX	9336LAX	9336AX	9337AX	9338AX	9339AX	9340AX	9346LAX	9346AX	9347AX	9348AX	9349AX	9350AX	
II 2G Ex h IIA T6 Gb														●							●
II 2G Ex h IIB T6 Gb								●			●	●	●				●	●	●		
II 2G Ex h IIC T6 Gb	●	●	●	●	●	●	●		●	●					●	●					

PACKAGING FEATURES

	9310AX	9311AX	9312AX	9313AX	9320AX	9321AX	9322AX	9323AX	9336LAX	9336AX	9337AX
kg	0,70	0,70	0,70	0,80	1,80	2,1	2,1	2,5	3,40	3,40	3,60
mm	204x112x62	204x112x62	204x112x62	204x112x62	254x149x96	254x149x96	254x149x96	254x149x96	304x186x100	304x186x100	304x186x100
●	33	33	33	33	34	34	34	34	35	35	35
	9338AX	9339AX	9340AX	9346LAX	9346AX	9347AX	9348AX	9349AX	9350AX		
kg	3,70	3,70	3,80	3,40	3,40	3,60	3,70	3,80	3,90		
mm	304x186x100	304x186x100	304x186x100	304x186x100	304x186x100	304x186x100	304x186x100	304x186x100	304x186x100		
●	35	35	35	36	36	36	36	36	36		

ATEX ZERO GRAVITY BALANCERS



**Use your instrument without feeling its weight
The load maintains the position where you leave it**

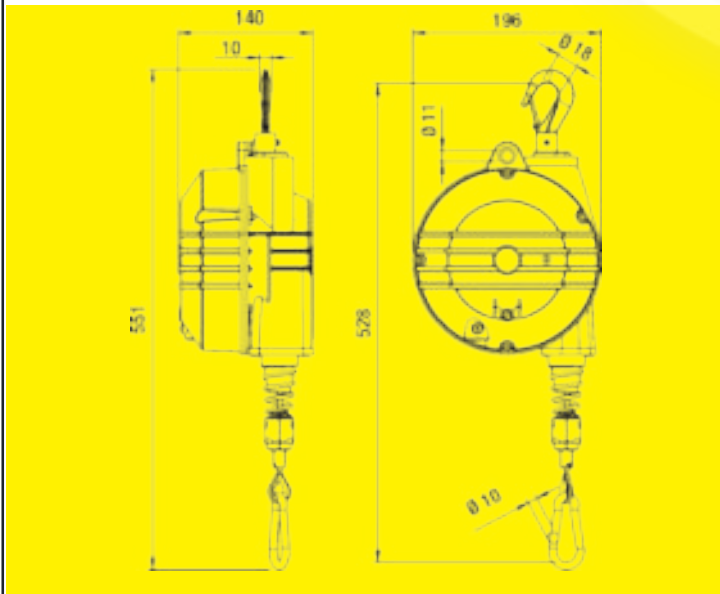


37

	Aluminium
	2000 mm
Stainless Steel	
	4÷25 kg

Option F Brake device

The balancer is equipped with a friction/brake which controls the rotation speed of the drum. This option is feasible when placing a new order while it is not possible to assemble this device on balancers already installed.



Option F





ATEX  **COMPLIANT**

ATmosphères EXplosibles

II 2G Ex h IIB T6 Gb (9354AX/9355AX)

II 2G Ex h IIA T6 Gb (9356AX÷9359AX)

II 2D Ex h IIIC T85°C Db

Item	9354AX	9355AX	9356AX	9357AX	9358AX	9359AX
	4÷7	7÷10	10÷14	14÷18	18÷22	22÷25
	4,94	5,30	5,67	6,26	5,89	6,53

38



Option RC (7270000004)
Conductive rotating hook group.



Control from the floor BC (7190000004)
Locking-unlocking device.

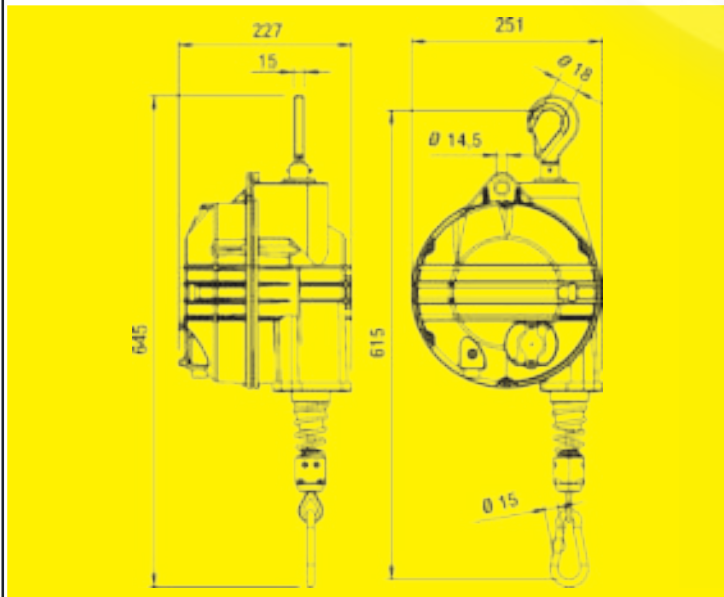
	Aluminium	
	2100 mm	9502AX ÷ 9509AX
	2700 mm	9520AX ÷ 9525AX
	Stainless Steel	
	12 ÷ 100 kg	

Option F



Option F Brake device

The balancer is equipped with a friction/brake which controls the rotation speed of the drum. This option is feasible when placing a new order while it is not possible to assemble this device on balancers already installed.



ATEX **COMPLIANT**

ATmosphères EXplosibles

II 2G Ex h IIA T6 Gb

II 2D Ex h IIIC T85°C Db

Item	9502AX	9503AX	9504AX	9505AX	9506AX	9507AX	9508AX	9509AX	9520AX	9521AX	9522AX	9523AX	9524AX	9525AX
	20 ÷ 30	30 ÷ 40	40 ÷ 50	50 ÷ 60	60 ÷ 70	70 ÷ 80	80 ÷ 90	90 ÷ 100	12 ÷ 20	20 ÷ 30	30 ÷ 40	40 ÷ 50	50 ÷ 60	60 ÷ 70
	12,60	15,20	15,50	16,70	15,50	17,70	16,20	16,80	12,80	12,60	15,80	15,40	16,60	15,70

BALANCERS TECHNICAL FEATURES

ATEX  **COMPLIANT**
ATmosphères EXplosibles

	9354AX÷9359AX	9502AX÷9509AX	9520AX÷9525AX	
kg	4÷25	20÷100	12÷70	Capacity
mm	2000	2100	2700	Stroke
●	●	●	●	Ribbed and sealed construction in aluminium alloy
●	●	●	●	Stainless steel rope
●	●	●	●	Adjustable capacity by means of a worm screw
●	●	●	●	Safety suspension
●	●	●	●	Safety device against load dropping due to the spring breakage (capacity >3kg)
●	●	●	●	Upper rotary suspension with safety hook
●	●	●	●	Locking device to block the load at any height
●	●	●	●	Adjustable stroke limiting device
●	●	●	●	Taper drum rotating on ball bearings
●	●	●	●	Cable guide in antifriction material
●	●	●	●	Rotary upper hook with ball bearing
●	●	●	●	Inert spring drum assembly

ON REQUEST OPTIONS F & ACCESSORIES BC - RC

BC		●	●	7190000004: Locking-unlocking device.
RC	●	●	●	RC: Rotary hook
F	●	●	●	F: Brake device

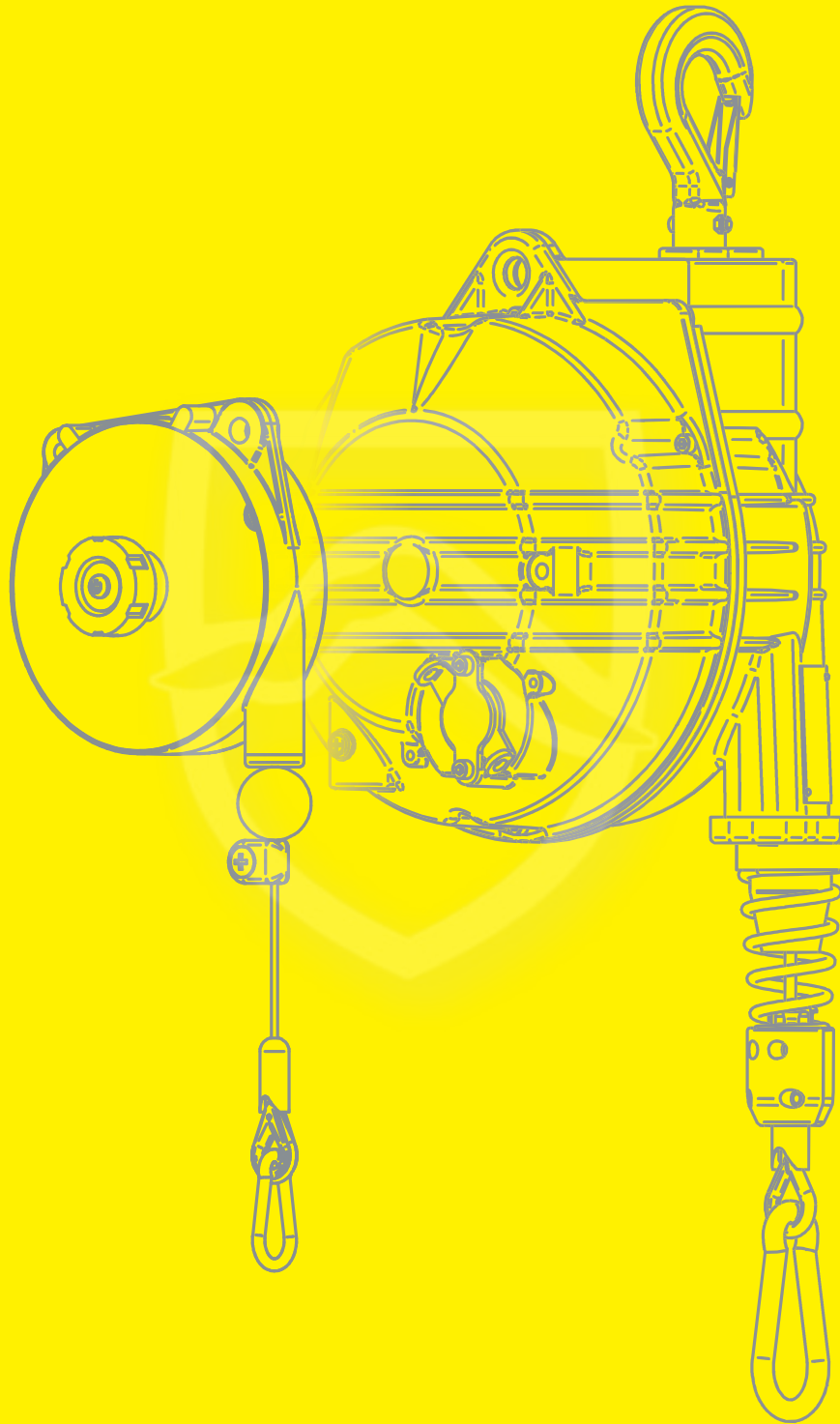
ATEX CODING	9354AX	9355AX	9356AX	9357AX	9358AX	9359AX	9502AX	9503AX	9504AX	9505AX	9506AX	9507AX	9508AX	9509AX	9520AX	9521AX	9522AX	9523AX	9524AX	9525AX
II 2G Ex h IIA T6 Gb			●	●	●	●	●	●	●	●	●	●	●	●	●	●	●	●	●	●
II 2G Ex h IIB T6 Gb	●	●																		
II 2D Ex h IIIC T85°C Db	●	●	●	●	●	●	●	●	●	●	●	●	●	●	●	●	●	●	●	●

PACKAGING FEATURES

ATEX  **COMPLIANT**
ATmosphères EXplosibles

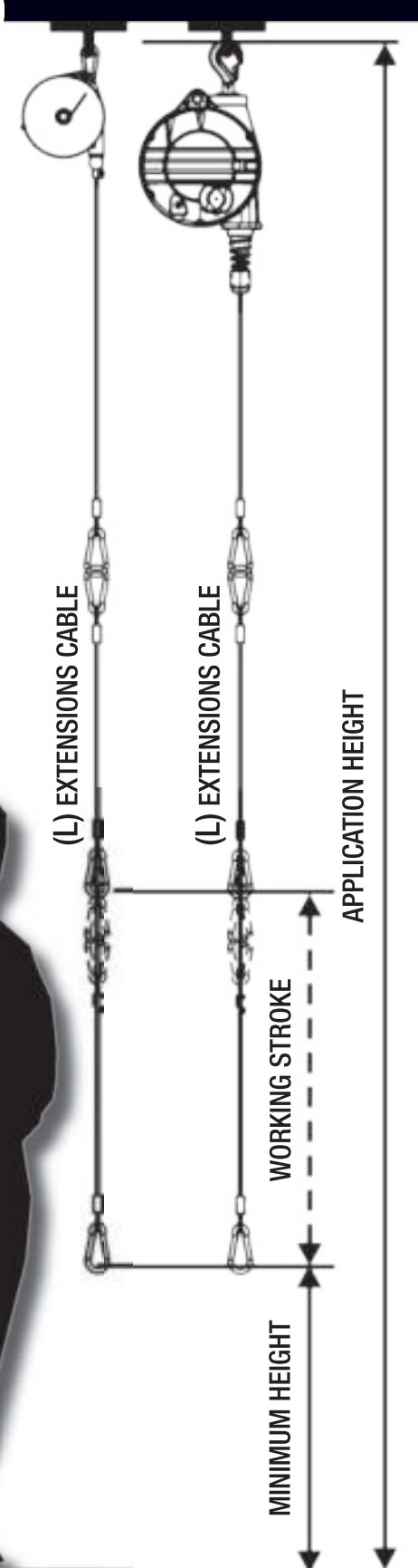
	9354AX	9355AX	9356AX	9357AX	9358AX	9359AX	9502AX	9503AX	9504AX	9505AX	9506AX
kg	6,00	6,40	6,80	7,40	7,00	7,60	14,40	17,00	17,30	18,50	17,30
lb	13,23	14,11	14,99	16,31	15,43	16,76	31,75	37,48	31,14	40,79	38,14
mm	525x206x175	525x206x175	525x206x175	525x206x175	525x206x175	525x206x175	590x265x260	590x265x260	590x265x260	590x265x260	590x265x260
inch	16,5x8,1x6,5	16,5x8,1x6,5	16,5x8,1x6,5	16,5x8,1x6,5	16,5x8,1x6,5	16,5x8,1x6,5	17,9x10,6x11	17,9x10,6x11	17,9x10,6x11	17,9x10,6x11	17,9x10,6x11
●	37	37	37	37	37	37	38	38	38	38	38
	9507AX	9508AX	9509AX	9520AX	9521AX	9522AX	9523AX	9524AX	9525AX		
kg	19,50	18,00	18,60	14,60	14,40	17,60	17,20	18,40	17,50		
lb	43,00	39,68	41,01	32,19	31,75	38,80	38,00	40,57	38,58		
mm	590x265x260	590x265x260	590x265x260	590x265x260	590x265x260	590x265x260	590x265x260	590x265x260	590x265x260		
inch	17,9x10,6x11	17,9x10,6x11	17,9x10,6x11	17,9x10,6x11	17,9x10,6x11	17,9x10,6x11	17,9x10,6x11	17,9x10,6x11	17,9x10,6x11		
●	38	38	38	38	38	38	38	38	38		

RETRACTORS & BALANCERS TABLES



EXTANSION CABLE &
CONVERSION TABLES

9301÷03 / 9311÷13 (carabiner 40mm-1.57") EXTENSIONS CABLES Ø 2-0.08"				
(L) MM	CODE	STAINLESS STEEL ROPE	(A) - CARABINER	(L) inch
500	7260000149	7260000144	21223	19.68
1000	7260000150	7260000145	21223	39.37
2500	7260000151	7260000146	21223	98.42
3000	7260000152	7260000147	21223	118.11
5000	7260000153	7260000148	21223	196.85
9320÷23 (carabiner 60mm-2.36") EXTENSIONS CABLES Ø 2-0.08"				
(L) MM	CODE	STAINLESS STEEL ROPE	(A) - CARABINER	(L) inch
500	7260000164	7260000144	20116	19.68
1000	7260000165	7260000145	20116	39.37
2500	7260000166	7260000146	20116	98.42
3000	7260000167	7260000147	20116	118.11
5000	7260000168	7260000148	20116	196.85
9336L÷50 (carabiner 80mm-3.14") EXTENSIONS CABLES Ø 2,5-0.10"				
(L) MM	CODE	STAINLESS STEEL ROPE	(A) - CARABINER	(L) inch
500	7260000159	7260000154	20115	19.68
1000	7260000160	7260000155	20115	39.37
2500	7260000161	7260000156	20115	98.42
3000	7260000162	7260000157	20115	118.11
5000	7260000163	7260000158	20115	196.85
9354÷59 (carabiner 80mm-3.14") EXTENSIONS CABLES Ø 3-0.12"				
(L) MM	CODE	STAINLESS STEEL ROPE	(A) - CARABINER	(L) inch
500	72967/0,5	45870/0,5	20115	19.68
1000	72967/1	45870/1	20115	39.37
2500	72967/2,5	45870/2,5	20115	98.42
3000	72967/3	45870/3	20115	118.11
5000	72967/5	45870/5	20115	196.85
9361÷71 / 9520÷25 (carabiner 100mm-3.94") EXTENSIONS CABLES Ø 4-0.16"				
(L) MM	CODE	STAINLESS STEEL ROPE	(A) - CARABINER	(L) inch
500	72968/0,5	45871/0,5	20132	19.68
1000	72968/1	45871/1	20132	39.37
2500	72968/2,5	45871/2,5	20132	98.42
3000	72968/3	45871/3	20132	118.11
5000	72968/5	45871/5	20132	196.85
9502÷09 (carabiner 100mm-3.94") EXTENSIONS CABLES Ø 5-0.20"				
(L) MM	CODE	STAINLESS STEEL ROPE	(A) - CARABINER	(L) inch
500	72969/0,5	45872/0,5	20132	19.68
1000	72969/1	45872/1	20132	39.37
2500	72969/2,5	45872/2,5	20132	98.42
3000	72969/3	45872/3	20132	118.11
5000	72969/5	45872/5	20132	196.85
94XX (carabiner 120mm-4.72") EXTENSIONS CABLES Ø 5-0.20"				
(L) MM	CODE	STAINLESS STEEL ROPE	(A) - CARABINER	(L) inch
500	72969/0,5/120	45872/0,5	20589	19.68
1000	72969/1/120	45872/1	20589	39.37
2500	72969/2,5/120	45872/2,5	20589	98.42
3000	72969/3/120	45872/3	20589	118.11
5000	72969/5/120	45872/5	20589	196.85



FOR ATEX BALANCERS

ART.						
	Kg	lb	mm	inch	Kg	lb
9311AX	0,4÷1	0,88÷2,20	1600	62,99	0,57	1,26
9312AX	1÷2	2,20÷4,41	1600	62,99	0,60	1,32
9313AX	2÷3	4,41÷6,61	1600	62,99	0,74	1,63
9320AX	1÷2,5	2,20÷5,51	2000	78,74	1,67	3,68
9321AX	2÷4	4,41÷8,82	2000	78,74	1,90	4,19
9322AX	4÷6	8,82÷13,23	2000	78,74	1,98	4,37
9323AX	6÷8	13,23÷17,63	2000	78,74	2,28	5,03
9336LAX	0,5÷2	1,1÷4,41	2500	98,43	3,14	6,92
9336AX	2÷4	4,41÷8,82	2500	98,43	3,14	6,92
9337AX	4÷6	8,82÷13,23	2500	98,43	3,30	7,28
9338AX	6÷8	13,23÷17,63	2500	98,43	3,36	7,41
9339AX	8÷10	17,63÷22,05	2500	98,43	3,43	7,56
9340AX	10÷14	22,05÷30,86	2500	98,43	3,58	7,89
9346LAX	0,5÷2	1,1÷4,41	2500	98,43	3,14	6,92
9346AX	2÷4	4,41÷8,82	2500	98,43	3,14	6,92
9347AX	4÷6	8,82÷13,23	2500	98,43	3,32	7,32
9348AX	6÷8	13,23÷17,63	2500	98,43	3,38	7,45
9349AX	8÷10	17,63÷22,05	2500	98,43	3,48	7,67
9350AX	10÷14	22,05÷30,86	2500	98,43	3,62	7,98
9354AX	4÷7	8,82÷15,43	2000	78,74	4,94	10,89
9355AX	7÷10	15,43÷22,05	2000	78,74	5,30	11,68
9356AX	10÷14	22,05÷30,86	2000	78,74	5,67	12,5
9357AX	14÷18	30,86÷39,68	2000	78,74	6,26	13,8
9358AX	18÷22	39,68÷48,50	2000	78,74	5,89	12,99
9359AX	22÷25	48,50÷55,12	2000	78,74	6,53	14,4
9502AX	20÷30	44,10÷66,14	2100	82,68	12,60	27,78
9503AX	30÷40	66,14÷88,18	2100	82,68	15,20	33,51
9504AX	40÷50	88,18÷110,23	2100	82,68	15,50	34,17
9505AX	50÷60	110,23÷132,28	2100	82,68	16,70	36,82
9506AX	60÷70	132,28÷132,28	2100	82,68	15,50	34,17
9507AX	70÷80	132,28÷176,37	2100	82,68	17,70	39,02
9508AX	80÷90	176,37÷198,42	2100	82,68	16,20	35,71
9509AX	80÷100	176,37÷220,46	2100	82,68	16,80	37,04
9520AX	12÷20	26,46÷44,10	2700	106,3	12,80	28,22
9521AX	20÷30	44,10÷66,14	2700	106,3	12,60	27,78
9522AX	30÷40	66,14÷88,18	2700	106,3	15,80	34,83
9523AX	40÷50	88,18÷110,23	2700	106,3	15,40	33,95
9524AX	50÷60	110,23÷132,28	2700	106,3	16,60	36,6
9525AX	60÷70	132,28÷132,28	2700	106,3	15,70	34,61

Intool Slovakia s.r.o.
ul. Národná 814/4
010-01 Žilina, Slovakia



SLOVAKIA s.r.o.

INTOOL

Tel. (00421) 41-700-1030
e-mail: intool@intool.sk
www.intool.sk



TECNA 
Advanced Resistance Welding Systems and Balancers

GPS N44° 24' 24" - E11° 35' 13"

ATEX  **COMPLIANT**

ATmosphères EXplosibles

Via Meucci, 27
40024 - Castel San Pietro Terme (BO)
Italy

Tel. +39 051 695 4411
Fax +39 051 654 4490

www.tecna.net
vendite@tecna.net
sales@tecna.net